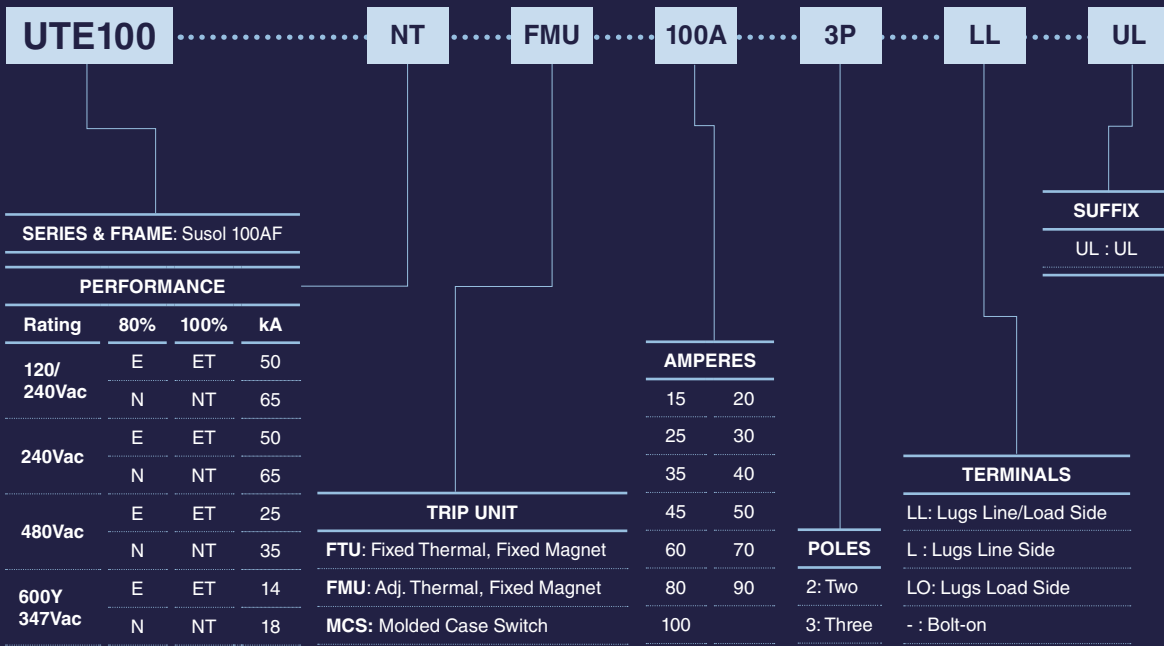


SELECTION GUIDE

UTE100



CATALOG NUMBERING [PRODUCT SELECTION]



UTE100 FRAME

- UTE100 breaker is HACR rated
- SWD switch duty rating
(applied only to 15 and 20A /347Vac or less)
- HID high intensity discharge lighting rating
(15~50A /480Vac or less)

UL489 RATINGS

BREAKER TYPE	NUMBER OF POLES	INTERRUPTING CAPACITY (kA rms) AC 50/60Hz				INTERRUPTING CAPACITY (kA) DC	
		120/240V	240V	480V	600Y 347V	250V DC-2P	500V DC-3P
UTE100E	2, 3	50	50	25	14	16	25
UTE100N	2, 3	65	65	35	18	25	35

IEC60947-2 RATINGS

BREAKER TYPE	NUMBER OF POLES	INTERRUPTING CAPACITY(kA rms) AC 50/60Hz, Icu	
		220/240V	380/415V
UTE100E	2, 3	50	25
UTE100N	2, 3	65	35
Service breaking capacity, Ics (%Icu)		100%	
Insulation Voltage, Ui		750 Vac	
Impulse Withstand Voltage, Uimp		8 kVac	
Utilization Category		A	

DIMENSIONS

POLES	DIMENSIONS inch (mm)		
	H	W	D
2-Pole	5.12 (130)	2.01 (51)	3.44 (87.5)
3-Pole	5.12 (130)	2.99 (76)	3.44 (87.5)

TRIP UNIT TYPES

	THERMAL	MAGNETIC	REMARKS
FTU	Fixed	Fixed	
FMU	Adjustable, 0.8~1 x In	Fixed	
MCS	N.A	Fixed, 10 x In	Magnetic only

CIRCUIT BREAKER

Ampere Rating, In	WITH FTU TRIP UNIT (FIXED THERMAL, FIXED MAGNETIC)			
	50kA at 120/240V, 50kA at 240Vac		65kA at 120/240V, 65kA at 240Vac	
	2-Pole	3-Pole	2-Pole	3-Pole
15A	UTE100-E-FTU-15-2	UTE100-E-FTU-15-3	UTE100-N-FTU-15-2	UTE100-N-FTU-15-3
20A	UTE100-E-FTU-20-2	UTE100-E-FTU-20-3	UTE100-N-FTU-20-2	UTE100-N-FTU-20-3
25A	UTE100-E-FTU-25-2	UTE100-E-FTU-25-3	UTE100-N-FTU-25-2	UTE100-N-FTU-25-3
30A	UTE100-E-FTU-30-2	UTE100-E-FTU-30-3	UTE100-N-FTU-30-2	UTE100-N-FTU-30-3
35A	UTE100-E-FTU-35-2	UTE100-E-FTU-35-3	UTE100-N-FTU-35-2	UTE100-N-FTU-35-3
40A	UTE100-E-FTU-40-2	UTE100-E-FTU-40-3	UTE100-N-FTU-40-2	UTE100-N-FTU-40-3
45A	UTE100-E-FTU-45-2	UTE100-E-FTU-45-3	UTE100-N-FTU-45-2	UTE100-N-FTU-45-3
50A	UTE100-E-FTU-50-2	UTE100-E-FTU-50-3	UTE100-N-FTU-50-2	UTE100-N-FTU-50-3
60A	UTE100-E-FTU-60-2	UTE100-E-FTU-60-3	UTE100-N-FTU-60-2	UTE100-N-FTU-60-3
70A	UTE100-E-FTU-70-2	UTE100-E-FTU-70-3	UTE100-N-FTU-70-2	UTE100-N-FTU-70-3
80A	UTE100-E-FTU-80-2	UTE100-E-FTU-80-3	UTE100-N-FTU-80-2	UTE100-N-FTU-80-3
90A	UTE100-E-FTU-90-2	UTE100-E-FTU-90-3	UTE100-N-FTU-90-2	UTE100-N-FTU-90-3
100A	UTE100-E-FTU-100-2	UTE100-E-FTU-100-3	UTE100-N-FTU-100-2	UTE100-N-FTU-100-3

CIRCUIT BREAKER

WITH FTU TRIP UNIT (FIXED THERMAL, FIXED MAGNETIC)				
Ampere Rating, In	25kA at 480V, 14kA at 600Y 347Vac		35kA at 480V, 18kA at 600Y 347Vac	
	2-Pole	3-Pole	2-Pole	3-Pole
15A	UTE100-E-FTU-15-2	UTE100-E-FTU-15-3	UTE100-N-FTU-15-2	UTE100-N-FTU-15-3
20A	UTE100-E-FTU-20-2	UTE100-E-FTU-20-3	UTE100-N-FTU-20-2	UTE100-N-FTU-20-3
25A	UTE100-E-FTU-25-2	UTE100-E-FTU-25-3	UTE100-N-FTU-25-2	UTE100-N-FTU-25-3
30A	UTE100-E-FTU-30-2	UTE100-E-FTU-30-3	UTE100-N-FTU-30-2	UTE100-N-FTU-30-3
35A	UTE100-E-FTU-35-2	UTE100-E-FTU-35-3	UTE100-N-FTU-35-2	UTE100-N-FTU-35-3
40A	UTE100-E-FTU-40-2	UTE100-E-FTU-40-3	UTE100-N-FTU-40-2	UTE100-N-FTU-40-3
45A	UTE100-E-FTU-45-2	UTE100-E-FTU-45-3	UTE100-N-FTU-45-2	UTE100-N-FTU-45-3
50A	UTE100-E-FTU-50-2	UTE100-E-FTU-50-3	UTE100-N-FTU-50-2	UTE100-N-FTU-50-3
60A	UTE100-E-FTU-60-2	UTE100-E-FTU-60-3	UTE100-N-FTU-60-2	UTE100-N-FTU-60-3
70A	UTE100-E-FTU-70-2	UTE100-E-FTU-70-3	UTE100-N-FTU-70-2	UTE100-N-FTU-70-3
80A	UTE100-E-FTU-80-2	UTE100-E-FTU-80-3	UTE100-N-FTU-80-2	UTE100-N-FTU-80-3
90A	UTE100-E-FTU-90-2	UTE100-E-FTU-90-3	UTE100-N-FTU-90-2	UTE100-N-FTU-90-3
100A	UTE100-E-FTU-100-2	UTE100-E-FTU-100-3	UTE100-N-FTU-100-2	UTE100-N-FTU-100-3

WITH FMU TRIP UNIT (ADJUSTABLE THERMAL, FIXED MAGNETIC)			
Ampere Rating, In	50kA at 120/240V, 50kA at 240Vac		Thermal range
	3-Pole		
25A	UTE100-E-FMU-25-3	UTE100-N-FMU-25-3	20-25A
40A	UTE100-E-FMU-40-3	UTE100-N-FMU-40-3	32-40A
60A	UTE100-E-FMU-60-3	UTE100-N-FMU-60-3	48-60A
80A	UTE100-E-FMU-80-3	UTE100-N-FMU-80-3	64-80A
100A	UTE100-E-FMU-100-3	UTE100-N-FMU-100-3	80-100A

Ampere Rating, In	25kA at 480V, 14kA at 600Y 347Vac		Thermal range
	3-Pole		
25A	UTE100-E-FMU-25-3	UTE100-N-FMU-25-3	20-25A
40A	UTE100-E-FMU-40-3	UTE100-N-FMU-40-3	32-40A
60A	UTE100-E-FMU-60-3	UTE100-N-FMU-60-3	48-60A
80A	UTE100-E-FMU-80-3	UTE100-N-FMU-80-3	64-80A
100A	UTE100-E-FMU-100-3	UTE100-N-FMU-100-3	80-100A

MOLDED CASE SWITCH

WITH MCS TRIP UNIT				
Ampere Rating, In	50kA at 120/240V, 50kA at 240V		65kA at 120/240V, 65kA at 240V	
	2-Pole	3-Pole	2-Pole	3-Pole
100A	UTE100-E-MCS-100-2	UTE100-E-MCS-100-3	UTE100-N-MCS-100-2	UTE100-N-MCS-100-3

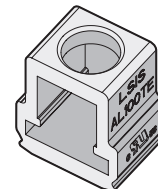
Ampere Rating, In	25kA at 480V, 14kA at 600Y 347Vac		35kA at 480V, 18kA at 600Y 347Vac	
	2-Pole	3-Pole	2-Pole	3-Pole
100A	UTE100-E-MCS-100-2	UTE100-E-MCS-100-3	UTE100-N-MCS-100-2	UTE100-N-MCS-100-3

ACCESSORIES FOR UTE100

MECHANICAL LUGS

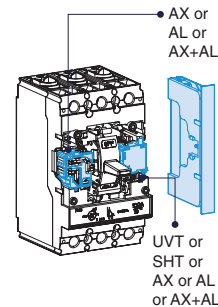
MAXIMUM BREAKER AMPERES	TERMINAL BODY MATERIAL	WIRE TYPE	ORDERING TYPE
100A	Aluminum	Cu/Al	AL100TE

AL100TE 15-100A Lug



INNER ACCESSORIES

DESCRIPTION	CONTROL VOLTAGE	ORDERING TYPE
Auxiliary Switch, AX		
Alarm Switch, AL		
AX + AL		
Shunt Trip, SHT	AC/DC 12V	
	AC/DC 24V	
	AC/DC 48V	
	AC/DC 60V	
	AC/DC 100~130V	
	AC/DC 200~250V	
	AC 380~450V	
Undervoltage Trip, UVT	AC 440~500V	
	AC/DC 24V	
	AC/DC 48V	
	AC/DC 100~110V	
	AC/DC 200~220V	
	AC 380~440V	
	AC 440~480V	



Type	Left(R)	Right(T)
AX	1	1
AL	1	1
AX+AL	1	1
SHT		1
UVT		1

- Applicable in indicated pole position-not synchronous
- 2P : Right only

PADLOCKING DEVICE

DESCRIPTION	ORDERING TYPE
Lock in "OFF" position	PL0



<Pad Lock>

PLATE HANDLE LOCKING DEVICE

DESCRIPTION	ORDERING TYPE
Lock in "OFF" or "ON" position	PHL0



<Plate Handle Lock>

MECHANICAL INTERLOCKING DEVICE

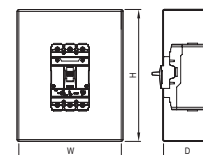
DESCRIPTION	ORDERING TYPE
For 3-Pole breaker	MIT03



<Mechanical Interlock>

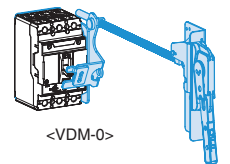
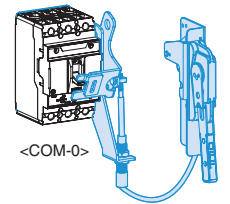
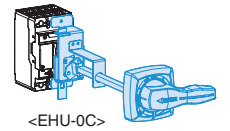
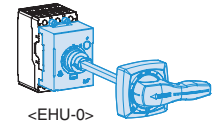
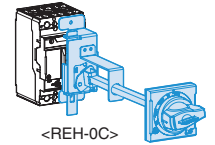
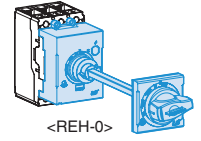
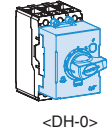
ENCLOSURE

ENCLOSURE DIMENSION (W X H X D) inch(mm)	ORDERING TYPE
8.27(210) x 17.3(439.4) x 4.0(101.6)	-



ROTARY OPERATING HANDLES

DESCRIPTION	TYPE	ORDERING TYPE
Directly Mounted	NEMA Type 1	DH-0
Extended (Door-Mounted)	NEMA Type 1	REH-0
	NEMA Type 1	REH-0C
NEMA Door-Mounted	NEMA Type 1, 12	EHU-0
	NEMA Type 3, 3R, 4	EHV-0
	NEMA Type 3, 4, 4X	EHX-0
	NEMA Type 1, 12	EHU-0C
	NEMA Type 3, 3R, 4	EHV-0C
	NEMA Type 3, 4, 4X	EHX-0C

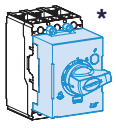
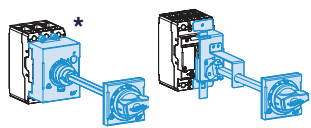
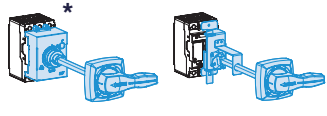
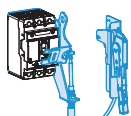
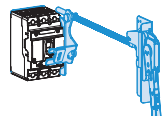


FLANGE HANDLES WITH CABLE OPERATING MECHANISM

DESCRIPTION	TYPE	ORDERING TYPE
Cable operating mechanism (without cable)		COM-0
Standard type handle (with operating mechanism)	NEMA Type 1, 12, 3, 3R, 4	FHU-S
	NEMA Type 4, 4X	FHX-S
Cable	36 inch	FH2-36
	48 inch	FH2-48
	60 inch	FH2-60
	72 inch	FH2-72

FLANGE HANDLES WITH VARIABLE-DEPTH OPERATING MECHANISM

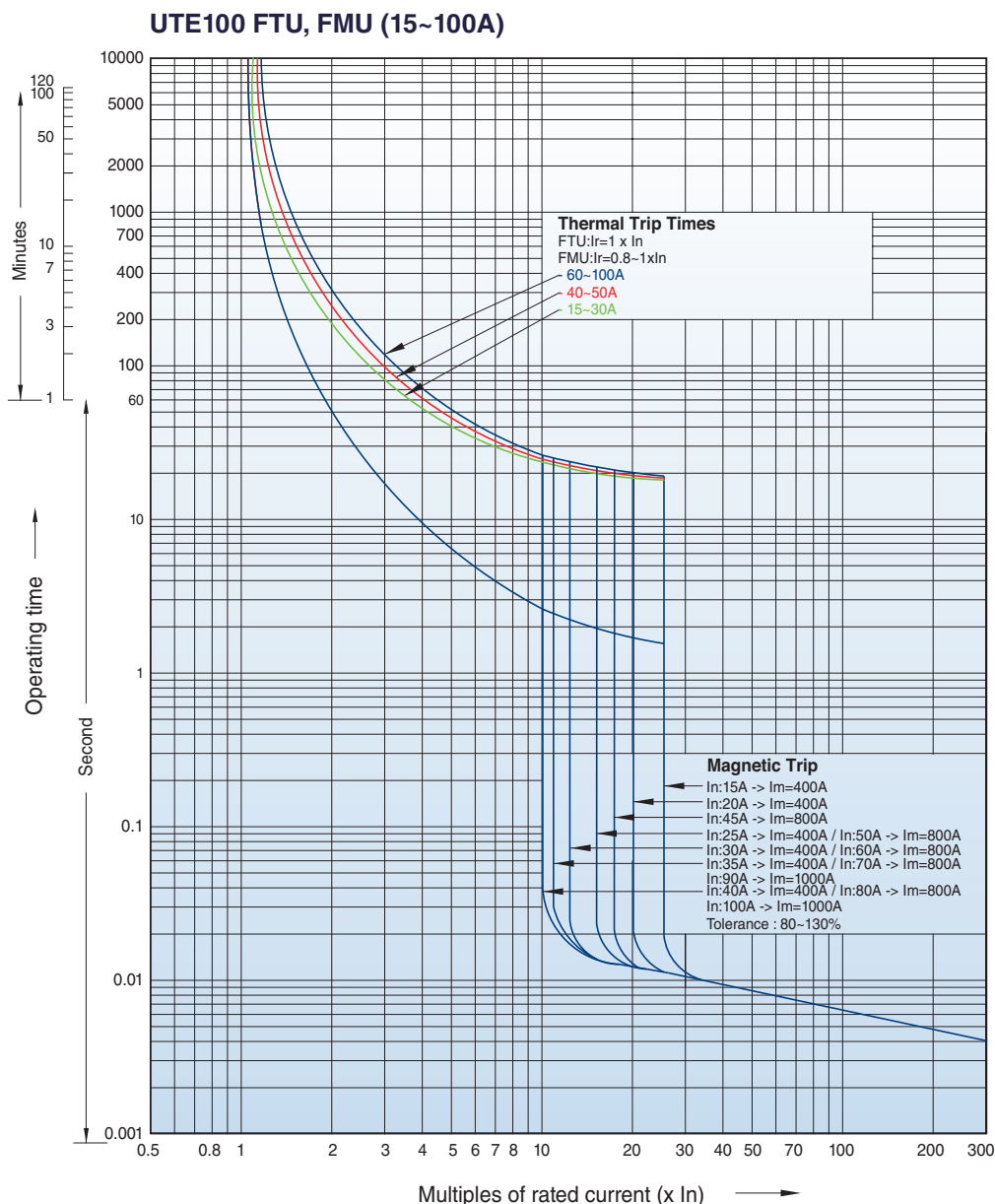
DESCRIPTION	TYPE	ORDERING TYPE
Variable depth operating mechanism with threaded-rod and handle		VDM-0
Standard type handle with operating mechanism	NEMA Type 1, 12, 3, 3R, 4	FHU-S
	NEMA Type 4, 4X	FHX-S

Description	Directly Mounted	Door Mounted	Flange Handle with Cable Operation Mechanism	Flange Handle with Variable Depth Mechanism
NEMA Type 1	 *	 *	-	-
NEMA Type 1, 12, 3, 3R, 4, 4X	-	 *		

* Only 3 Pole

UTE100 CHARACTERISTIC

This curve is to be used for application and coordination purposes only.
All time/current characteristic curve data is based on 40°C ambient cold start.

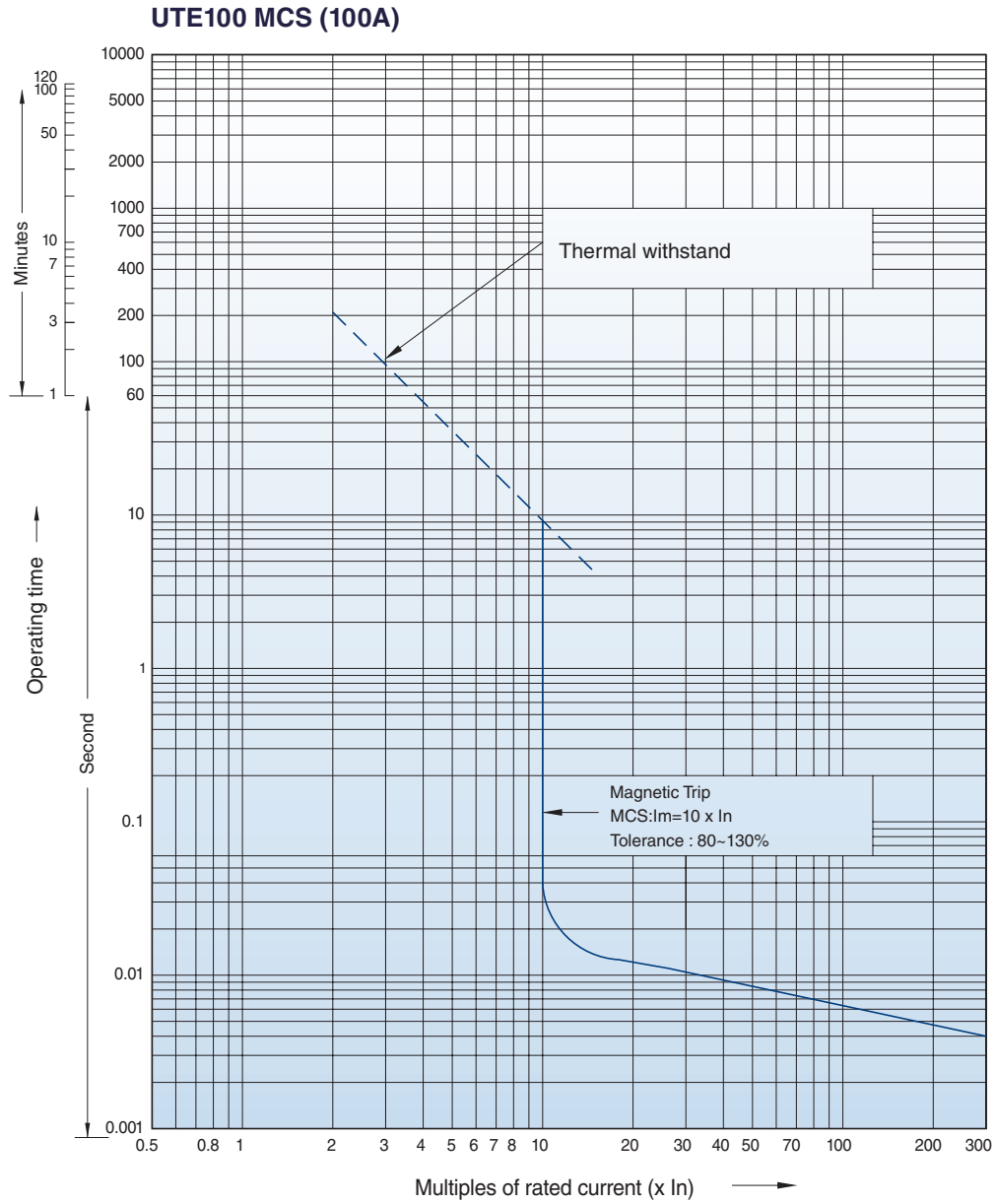


RATING UTE100	FTU	
	2P/3P	MAG TRIP (80%~130%)
15	○	400A
20	○	
25	○	
30	○	
35	○	
40	○	800A
45	○	
50	○	
60	○	
70	○	
80	○	1000A
90	○	
100	○	

RATING UTE100	FMU		
	3P	RATING RANGE	MAG TRIP (80%~130%)
25	○	20~25A	400A
40	○	32~40A	
60	○	48~60A	800A
80	○	64~80A	
100	○	80~100A	1000A

UTE100 CHARACTERISTIC

This curve is to be used for application and coordination purposes only.
All time/current characteristic curve data is based on 40°C ambient cold start.

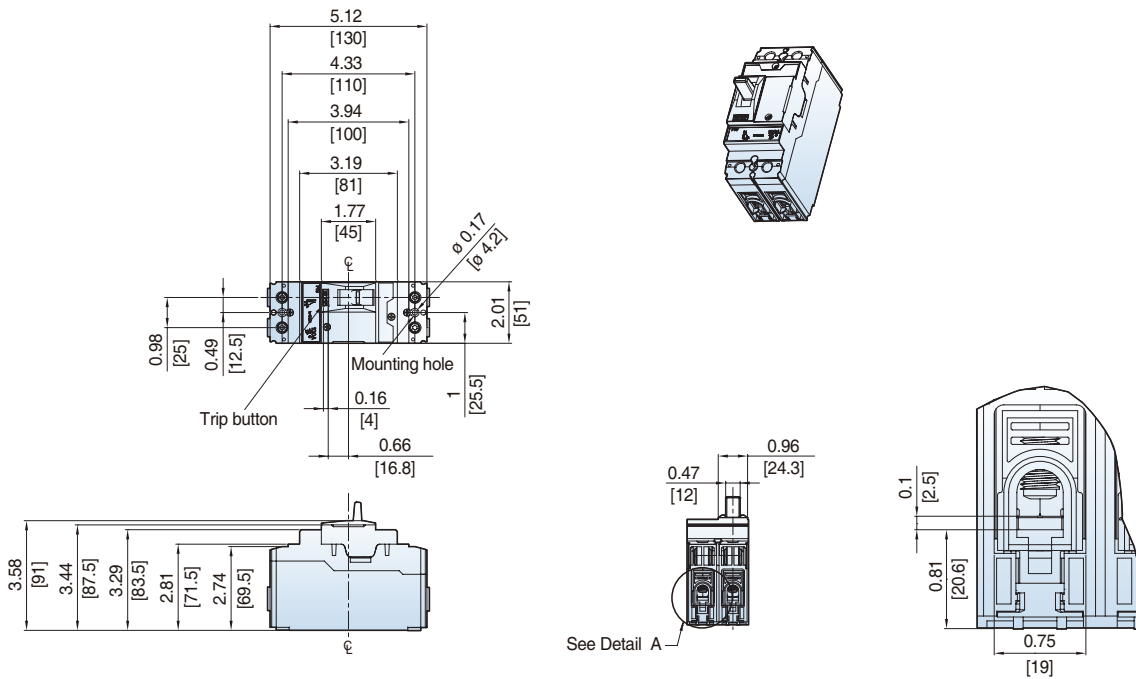


	MCS (2P/3P)
RATING	MAG TRIP
UTE100	(80%~130%)
	(10 x In)
100	1000A

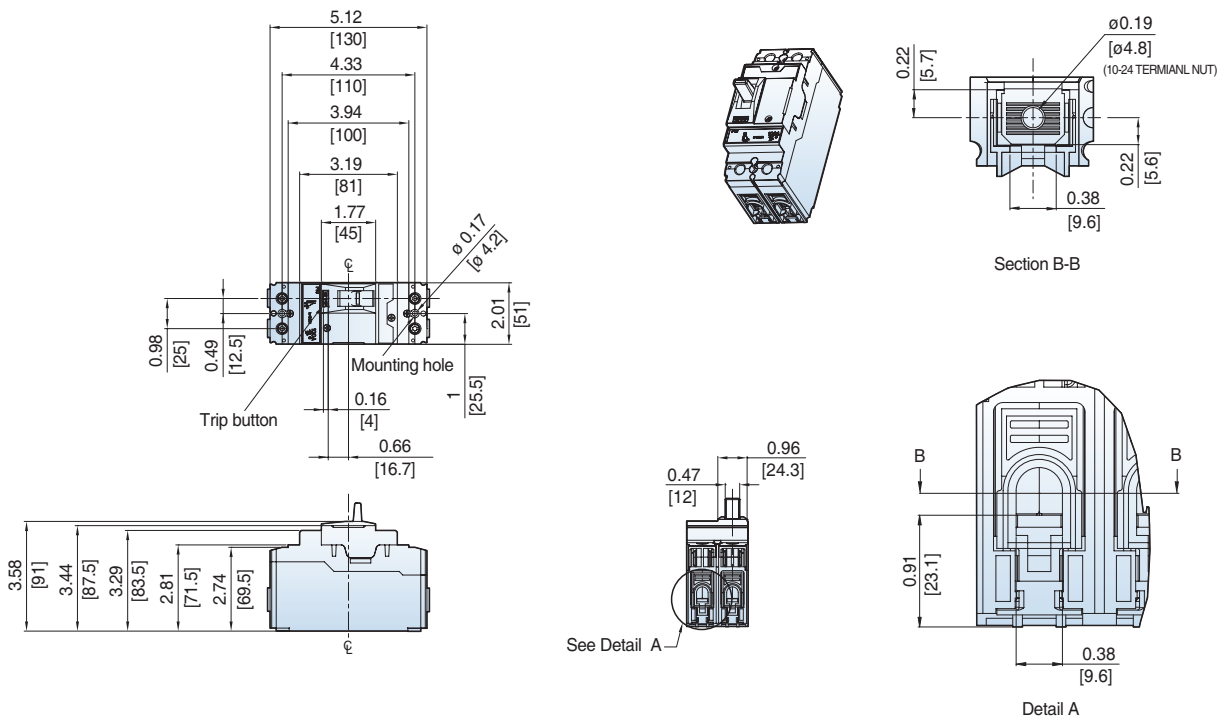
DIMENSIONS UTE100 CIRCUIT BREAKERS

UTE100 2P Circuit Breaker [Lug type]

Dimension: inch[mm]



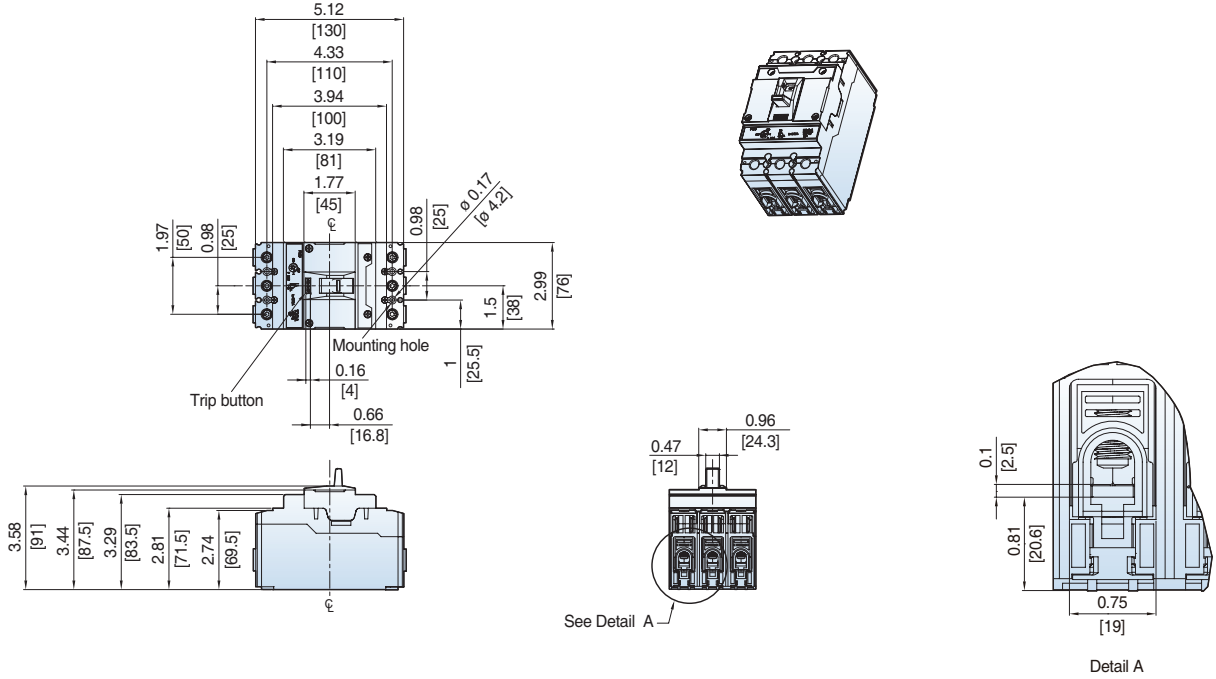
UTE100 2P Circuit Breaker [Busbar type]



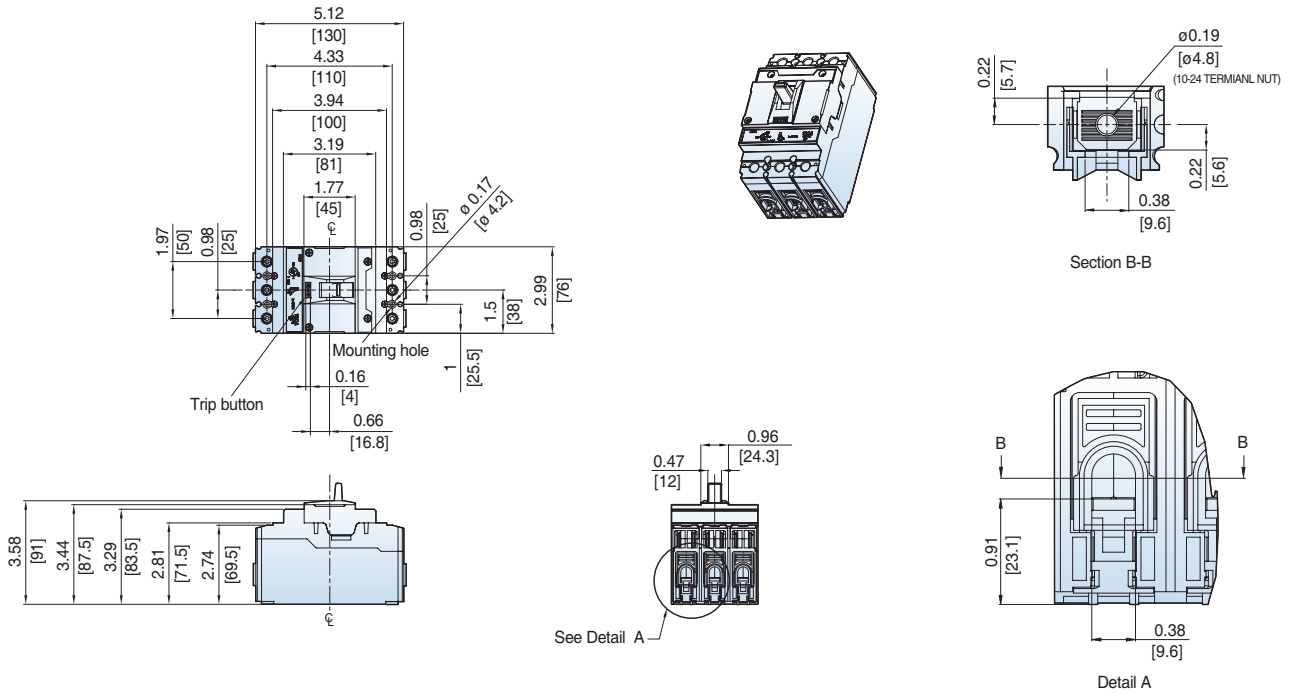
DIMENSIONS UTE100 CIRCUIT BREAKERS

UTE100 3P Circuit Breaker [Lug type]

Dimension: inch[mm]

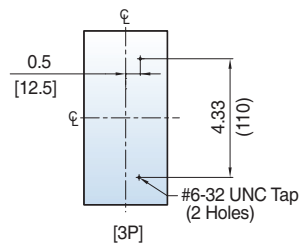
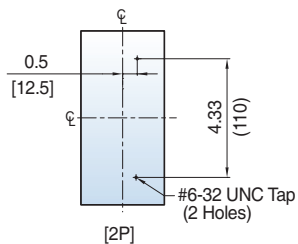


UTE100 3P Circuit Breaker [Busbar type]

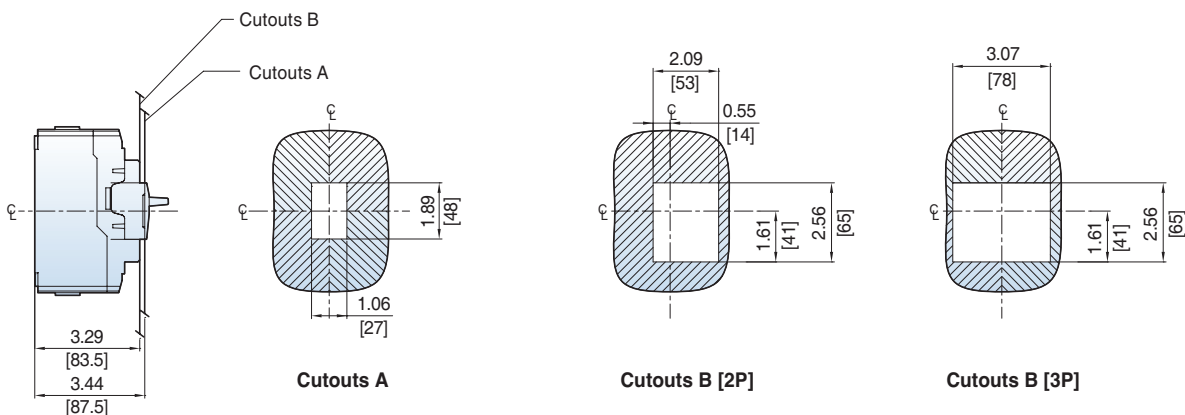


UTE100 Circuit Breakers Mounting

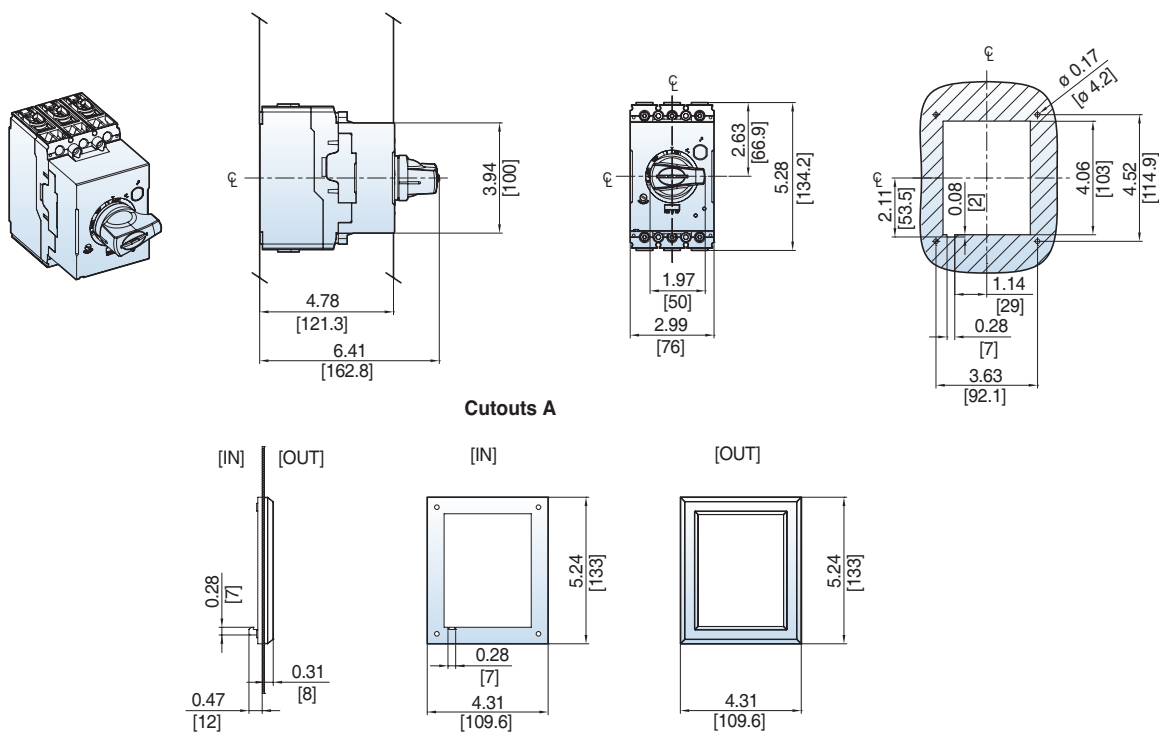
Dimension: inch[mm]



UTE100 Circuit Breakers Door Cutouts



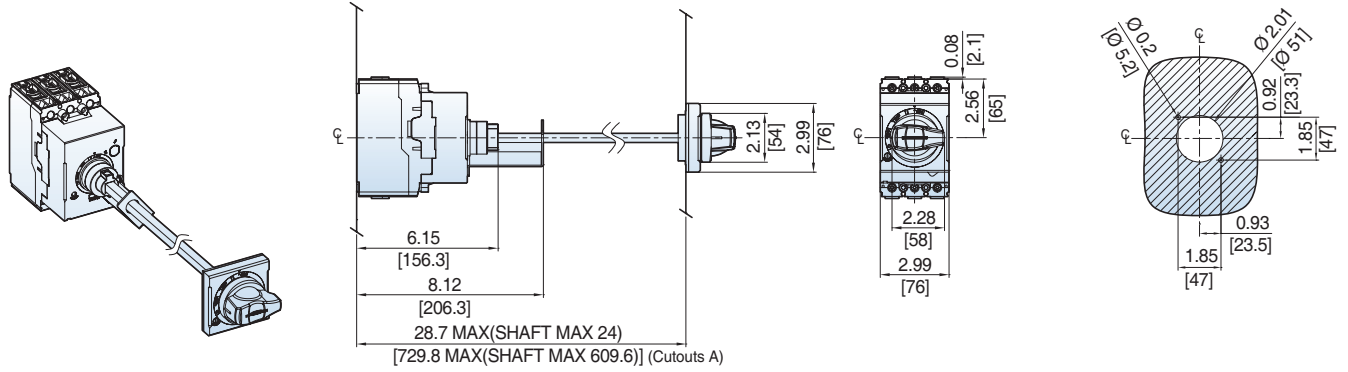
UTE100 Directly Mounted Rotary Operating Handle [DH-0]



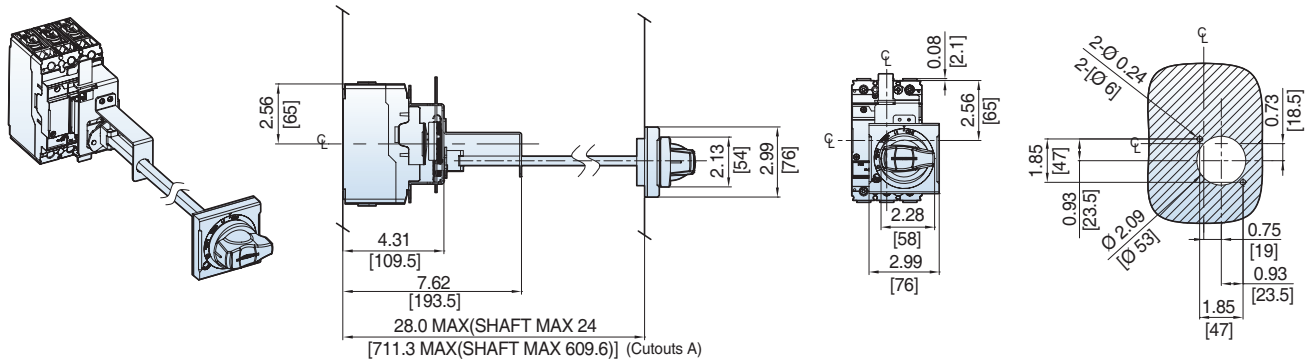
DIMENSIONS UTE100 CIRCUIT BREAKERS

UTE100 Door-Mounted Rotary Operating Handle [REH-0]

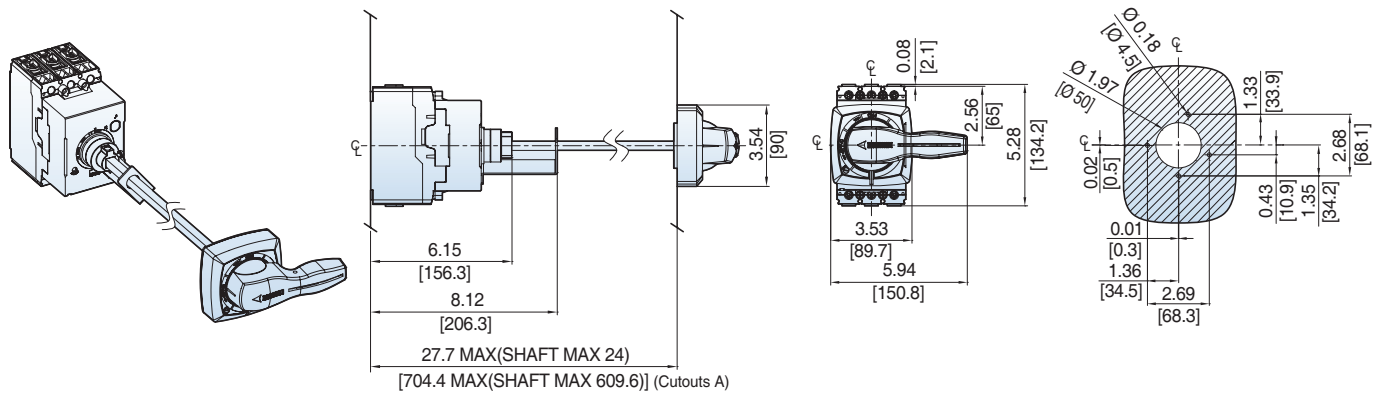
Dimension: inch[mm]



UTE100 Door-Mounted Rotary Operating Handle [REH-0C]

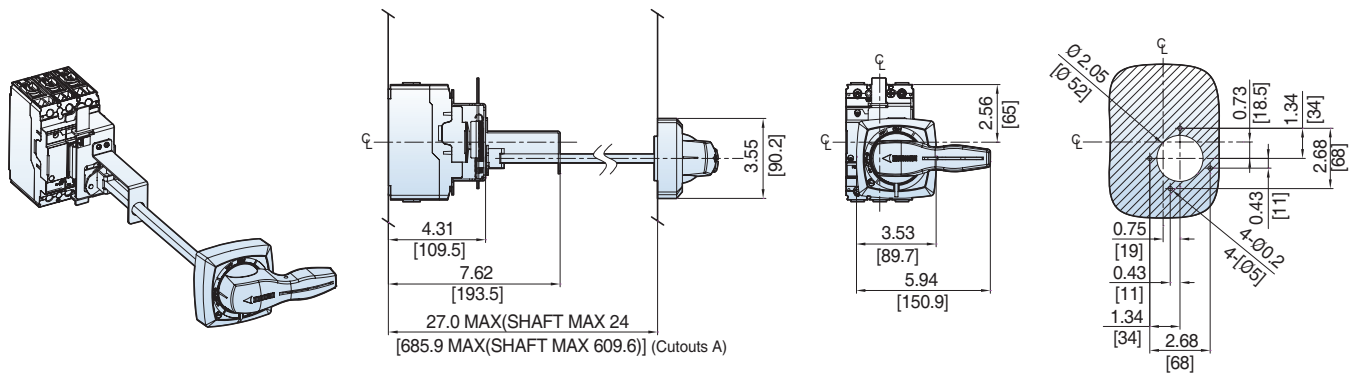


UTE100 NEMA Door-Mounted Rotary Operating Handle [EHU-0, EHX-0]

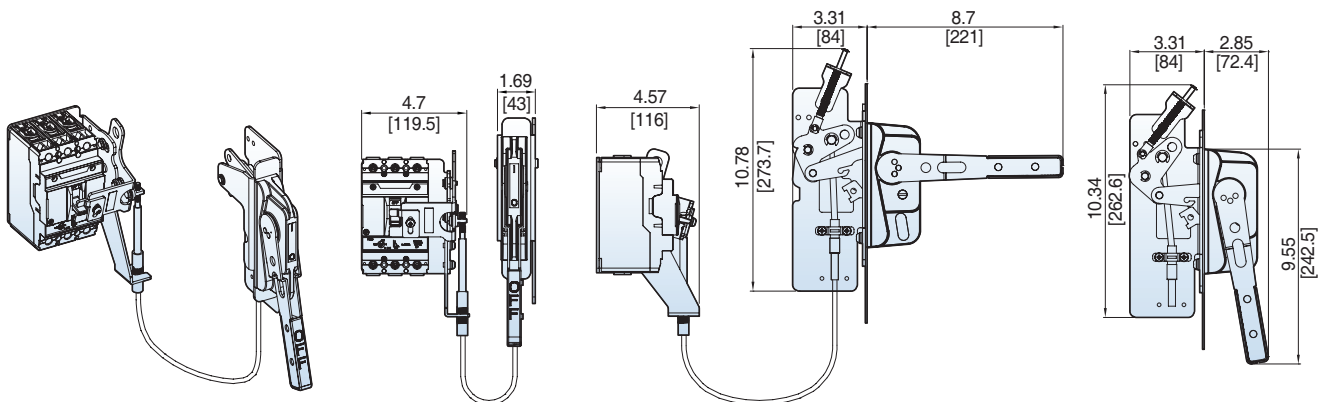


UTE100 NEMA Door-Mounted Rotary Operating Handle [EHU-0C, EHX-0C]

Dimension: inch[mm]



UTE100 Flange-Mounted Cable Operating Handle [COM-0 + FHU, X-S + Cable]



UTE100 Flange-Mounted Variable-Depth Operating Handle [VDM-0 + FHU, X-S]

